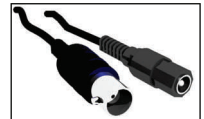


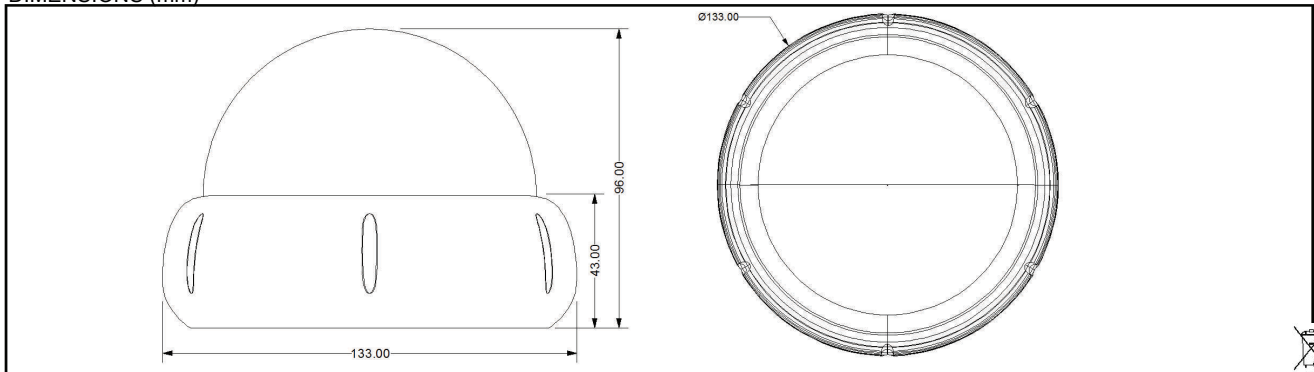
### Colour/Mono Dual-Voltage Internal Dome Camera w/OSD controls

- 1/3" Sony Super HAD II CCD
- 600TVL Resolution
- OSD Controls for multiple functions
- 3-Axis Internal Camera bracket
- Dual Voltage 12vDC/24vAC
- 2.8-11mm F1.4 DC Iris Lens
- 2D Digital Noise Reduction (2DNR)
- Digital Wide Dynamic Range (DWDR)
- Privacy function (8-zone)
- Motion Detection (4-zone)
- High Light Compensation (HLC)



Mode	Sensor	Resolution	Sensitivity	Power	Features	ORDER CODE
Colour/Mono	1/3" CCD	600TVL	Col 0.02lux BW 0.002lux F1.2	200mA	Black housing	<b>D133</b>
					White housing	<b>D133-W</b>

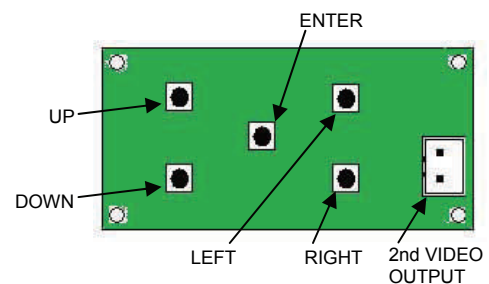
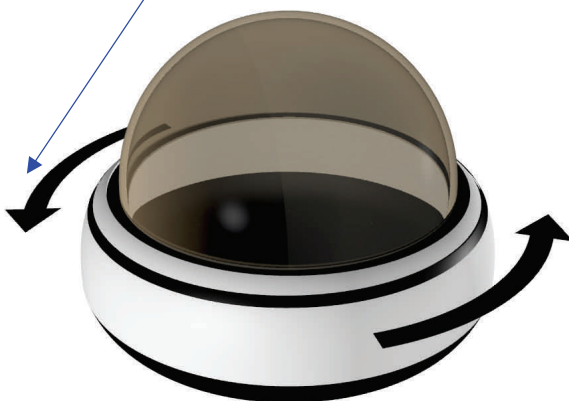
**DIMENSIONS (mm)**



### SPECIFICATION

Model	D133 Series
Pick up device	1/3" SONY® Super HAD II CCD
Total pixels	PAL: 752(H) x 583(V) / NTSC: 768(H) x 494(V)
Sensing area	4.9mm x 3.7mm
Min. illumination	Colour 0.02 Lux/ B&W 0.002 Lux @ F1.2
Scanning system	2:1 Interlaced
Sync system	Internal
Resolution	600TVL
Lens	DC 2.8-11mm
OSD	Built-in
Digital WDR	Off/On (0~63 level adjustable)
White balance	ATW1/ATW2/MANUAL/FIXED
AGC	High/Mid/Low/Off
BLC	HLC/BLC/Off
2DNR	Off/On
Motion detection	Off/On (4 zones)
Mirror function	Off/On (Horizontal mirror)
Image adjustment	Contrast/ Sharpness/ Saturation
Gamma	0.45/ Custom (0.05-1.0)
Privacy zone	Off/On (8 zones)
Day & Night	Auto/ B&W/ Colour/ EXT
S/N Ratio	More than 50dB
Electronic shutter	Auto/ Anti-flicker/ Fixed/ Manual
Video output	1.0v p-p Composite Video output - 75Ω
Power source	12vDC/24vAC
Current consumption	12vDC~ 300mA, 24vAC~ 130mA
Operating temperature	-20°C ~ +50°C
Dimension	Ø133 x 92(H) mm
Weight	314g

Rotate housing to access camera, lens and OSD controller



#### OSD Controller

Press the ENTER button to access main menu. Use this button to enter or to select menu options.

Use the UP and DOWN buttons to move vertically and between menus and options.

Use the LEFT and RIGHT buttons to move horizontally and between menus and options.

